

**Warewashing**  
**Undercounter, atmospheric boiler, single**  
**skin, drain pump, detergent & rinse aid**  
**disp,48b/h-Washpro**

ITEM # \_\_\_\_\_

MODEL # \_\_\_\_\_

NAME # \_\_\_\_\_

SIS # \_\_\_\_\_

AIA # \_\_\_\_\_


**400089 (ELA3GWP)**

Undercounter Dishwasher with atmospheric boiler, single skin, built-in drain pump, detergent and rinse aid dispensers, 3 phase, 48b/h - Washpro

### Short Form Specification

**Item No.** \_\_\_\_\_

Unit shall be Electrolux Professional Undercounter dishwasher type hot water rinsing using rack dimension of 500\*500mm. Electrical characteristics to be 400 volts three phase 50Hz operation, convertible to single phase on-site. Washing performance is ensure by a powerful wash pump, large capacity wash tank, upper and lower revolving spray arms. Soft start wash pump to avoid accidental breakage of crystal wares. Constant rinse temperature and pressure guaranteed by built-in atmospheric boiler and rinse booster pump. Uses 3 liters of clean water per final rinse. Three automatic cycles for different types of wares. Double skin insulated door. 304 AISI stainless steel construction to include door, external panels, frame and wash tank. Electronic control with temperature display. Automatic self-cleaning cycle. The unit shall include drain pump, detergent and rinse aid dispenser pumps and is equipped with electric cable.

### Main Features

- Incorporated Soft Start feature to offer additional protection to more delicate items.
- Washing system endowed with rotating washing arms, high powered wash pump and large capacity boiler for professional washing.
- 4 second (variable) pause after washing and before rinsing ensures that no drops of unclean water will fall on the clean items at the end of the rinsing cycle.
- Fully automatic self-cleaning cycle avoids the risk of bacteria proliferation.
- Simple control panel with digital display allows on-site personalization of washing and rinsing cycle times and temperatures as well as precise rinse aid and detergent quantities to suit customer's needs.
- Simple service from the front.
- IPx4 water protection.
- An effective rinse system uses only 3 liters of clean hot water per basket for lower running costs.
- Digital read-out keeps operator informed as to temperatures.
- State-of-the-art electronic controls with built-in programming, self-diagnostics for serviceability and automatic interior self-cleaning cycle.
- Unique temperature interlock guarantees required temperatures in both the wash and final rinse in case of emergency cold water feeding.
- Constant temperature of 84 °C throughout the rinsing cycle regardless of the network's water pressure and temperature.
- High efficiency air gap (class A) in water inlet circuit to avoid water being siphoned back into the network as a result of a sudden drop in main pressures.
- Three phase or single phase electrical connection, convertible on-site.
- Built-in atmospheric boiler sized to raise incoming water to 84 °C minimum for sanitizing rinse. No external booster is required.
- Built-in rinse aid and detergent dispenser with automatic initial and continuous cycle loading for perfect result while minimizing service and maintenance needs.
- Washing capacity of 48 baskets per hour.

### Construction

- Unit to feature smooth surfaces to facilitate cleaning.
- 304 stainless steel boiler with higher welding protection to increase resistance to corrosion.
- PVC water supply hose with metal connections resistant to high water pressure.
- Completely closed on the back by a cover plate.
- Element protection from dry fire and low water.
- Interchangeable wash/rinse arms screw out for simple clean up.
- The boiler drain facilitates the evacuation of stagnant water after long periods of inactivity to ensure a higher level of hygiene.

**APPROVAL:** \_\_\_\_\_

- Double skin insulated door to reduce heat dispersion.
- Large wash tank with round corners and no pipes to avoid dirt built-up.
- Incorporated drain pump to control water level in wash tank draining.
- Large tank filter collects the soil to keep the wash water clean for a longer time and have better washing performance.
- Front panel door, wash tank and tank filters made in heavy duty anti-corrosive AISI 304 stainless steel.

### Sustainability

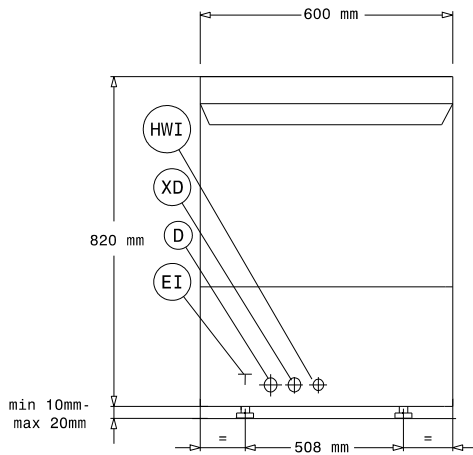


- Pre-arrangement for HACCP system implementation and Energy Management device.
- Unit to feature drain pump, rinse aid and detergent dispenser pumps.

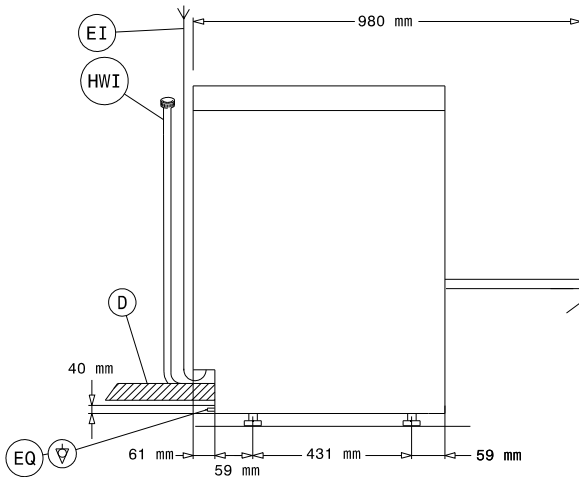
### Optional Accessories

- Connectivity kit for Undercounter Dishwashers and Pot Washers (ECAP) PNC 864479

Front

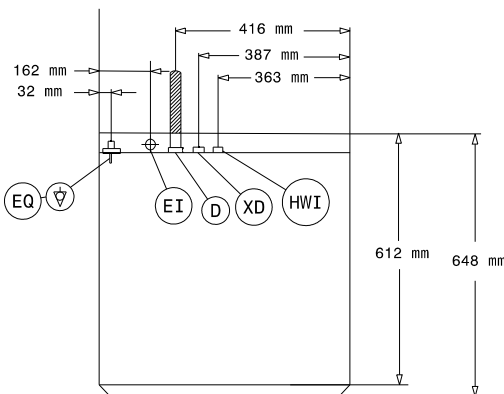


Side



- D = Drain
- EI = Electrical inlet (power)
- EO = Electrical Outlet
- HWI = Hot water inlet
- XD = Detergent connection
- XR = Rinse aid connection

Top



### Electric

**Supply voltage:**  
 400089 (ELA3GWP) 400 V/3N ph/50 Hz

**Convertible to:** 230V 1N~;  
 230V 3~  
**Default Installed Power:** 5.35 kW  
**Boiler heating elements:** 4.5 kW  
**Tank heating elements:** 2 kW  
**Wash pump size:** 0.736 kW

### Water:

**Pressure, bar min/max:** 0.5-7 bar  
**Drain line size:** 40mm  
**Inlet Water supply pressure:** 7 - 102 psi (0.5 - 7 bar)  
**Washing tank capacity (lt):** 33  
**Boiler Capacity (lt):** 5.8

### Key Information:

**Baskets per hour\*:** 40  
**Dishes per hour:** 720  
**Working cycles time (sec.):** 90/120/240  
**Wash temperature:** 55-65°C  
**Cell dimensions - width:** 500 mm  
**Cell dimensions - depth:** 500 mm  
**Cell dimensions - height:** 330 mm  
**Rinse temperature:** 84 °C  
**External dimensions, Width:** 600 mm  
**External dimensions, Depth:** 648 mm  
**External dimensions, Height:** 820 mm  
**Packaging size (WxDxH):** 740x670x1020 mm

### Sustainability

**Water supply temperature\*:** 50 °C  
**Water consumption per cycle (lt):** 3  
**Noise level:** <70 dBA